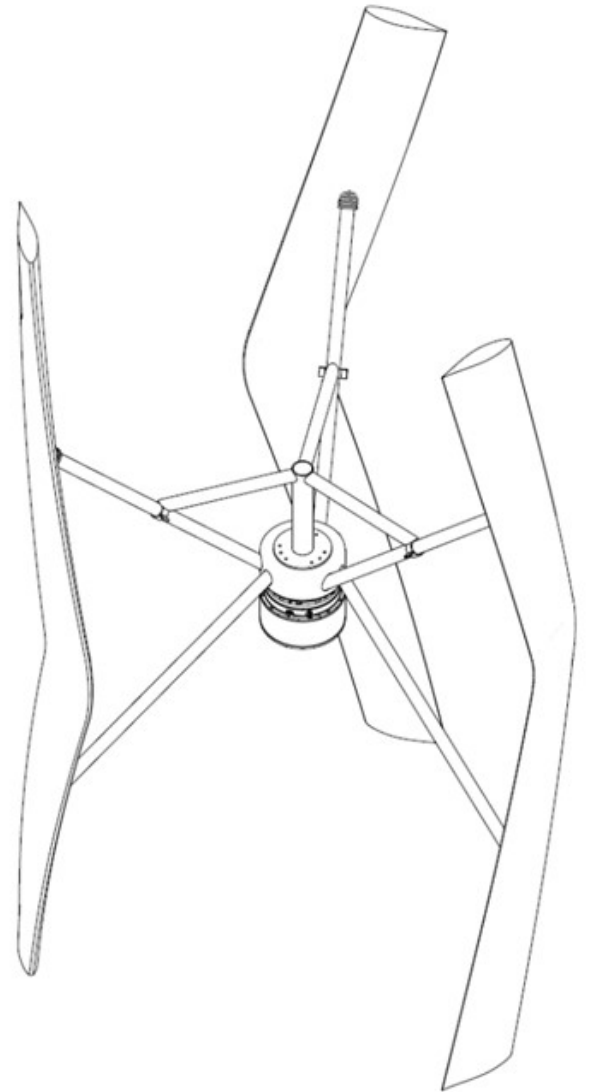


TECHNICAL DATA

MANUFACTURER	SWIRL SECS
MODEL	Estreya Lx
NOMINAL POWER	2.5 kW at 11 m/s
TURBINE DIAMETER	2.5 m
BLADE LENGTH	4.5 m
TURBINE WEIGHT	350 kg (without tower)
CERTIFICATION	Engineered to IEC 61400-2 Wind class 2 Power Curve to IEC 61400-12-1 (DNV-GL) Noise Level to IEC 61400-11 (DNV-GL)
OPERATIONAL SPEEDS	<i>Start-up</i> 5 m/s <i>Cut-in</i> 4 m/s <i>Cut-out</i> 20 m/s
WING	GFRP with CFRP Spar Laminar Aerofoil and Wing Sweep
STRUCTURE	Aircraft Grade Aluminum & Steel Robust by design
TOWER CONSTRUCTION	Lattice preferred (Less Noise Transfer Than Tubular Tower)
ENERGY & CONTROL	Permanent Magnet Generator Direct Drive Built-In-Machine Learning RPM vs. Wind-Speed M2M and M2Web Communication
SAFETY	Remote Monitoring Magnetically Operated Safety Disc Brake Built-In IoT Sensor & Safety Control System (Siemens S7)
Remote Communication	Via Secure End to End Industrial Cloud Proprietary API (Application Programm Interface)



POWER CURVE

